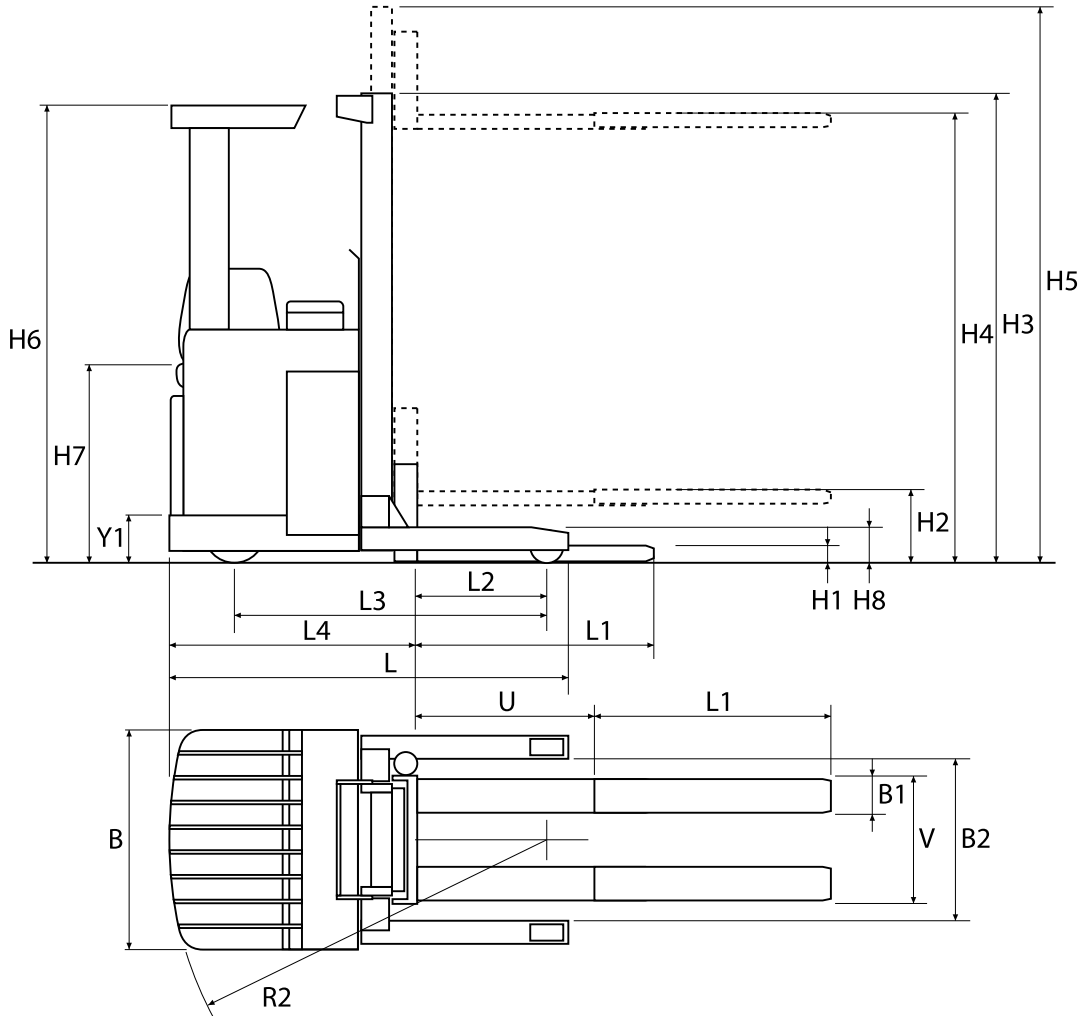


TELESCOPIC FORK LIFT TRUCK



ERGO XTF/XJN DTFV

Telescopic forks to reach double-pallet depth into racking or block stacks, and for extra reach when loading vehicles. Normal handling with forks retracted.



| Mast type | Standard lift height H4 | Min mast height H3 | Max mast height H5 |
|-------------------|--------------------------------------|--------------------------------------|--------------------------------------|
| Telescopic | | | |
| Double telescopic | 3600 4350 4800 5400 5700 | 1755 2005 2155 2355 2455 | 4231 4981 5431 6031 6331 |

ATLET

www.atlet.com

| | | Specification | | | ERGO XTF/XJN DTFV |
|------------------------------|--|--|------------|---------------------|--------------------|
| Lift capacities | 0 | Specification | | | |
| | 0a | Straddle leg position | | | |
| | 1 | Lift capacity | Q | kg | 1000 |
| | 1a | Load centre | D | mm | 600 |
| | 2 | Lift height | H4 | mm | See table |
| | 2a | Mast height | H3/H5 | mm | See table |
| | 2b | Transport free lift | H2 T mast | mm | H3 - 596 |
| | 2c | Full free lift | H2 DT mast | mm | |
| | 2d | Straddle lift | | mm | |
| | 3 | Mast tilt. Forward - backward | | | |
| 3a | Tilting forks. Forward - backward | | | | |
| 4 | Lift speed. Without load - with normal load | | m/s | 0,27 - 0,15 | |
| 4a | Lift time. Without load - with normal load | | s | | |
| 4b | Lift speed, ergolift. Without load - with normal load | | m/s | | |
| 5 | Lowering speed. Without load - with normal load | | m/s | 0,35 - 0,50 | |
| 5a | Lowering time. Without load - with normal load | | s | | |
| Drive capacities | 6 | Drive speed. Without load - with normal load | | km/h | 10-9,3 / 11-9,3 |
| | | Drive speed. Without load - with normal load | | m/s | 2,8-2,6 / 2,8-2,6 |
| | 6a | Acceleration 0-10 km/h | | | |
| | | Without load - with normal load | | s | |
| | 8 | Gradient, without load / with normal load | max | % | 7 |
| | 10 | Turning radius | R2 | mm | 1755 |
| | 11 | Smallest practical stacking aisle incl 200 mm play | | | |
| | | Load length 1200 mm | Ast | mm | 2521 |
| | | Load length 1000 mm | Ast | mm | 2321 |
| | | Load length 800 mm | Ast | mm | 2121 |
| | | Aisle width requirement according to BITA GN9 UK market only | | | |
| | | | A1 | mm | |
| | | | A2 | mm | |
| | | A3 | mm | | |
| 11a | Smallest practical stacking aisle with pallet LL 1200 with the platform folded up/without platform | | | | |
| | | Min | mm | | |
| | Intersecting aisle width. Load length 1200 mm | | | | |
| | | Min | mm | | |
| 11c | Max load length | LL | mm | | |
| 11d | Max load width | LB | mm | | |
| Truck measurements | 13 | Height of overhead guard | H6 | mm | 2110 |
| | 13a | Height of driver seat | H7 | mm | 900 - 1000 |
| | 13b | Step-in height | Y1 | mm | 350 - 430 |
| | 13c | Floor height | | mm | |
| | 13d | Width of open gate | | mm | |
| | 14 | Truck length | L | mm | 1855 |
| | 15 | Truck width | B | mm | 1010 |
| | 15a | Width over guide wheels | A | mm | |
| | 15b | Width over stabilisers | S | mm | |
| | 15c | Platform length | | mm | |
| | 15d | Platform width | B3 | mm | |
| | 15e | Height of platform gates | | mm | |
| | 16 | Fork length | L1 | mm | 800/1000/1100/1200 |
| | 17 | Width over forks | V max/min | mm | 570 / 670 |
| | 17a | Width between forks | | mm | 230 / 330 |
| | 18 | Reach length | U | mm | |
| | 19 | Distance from back plate to retracted fork heel | L4 T-mast | mm | |
| | | Distance from back plate to retracted fork heel | L4 DT-mast | mm | 1121 |
| | 20 | Fork arm, width - thickness | B1 | mm | 170 - 73 |
| | 20a | Fork height, min | H1 | mm | 75 |
| | 21 | Straddle height | H8 | mm | 160 |
| | 22 | Width between straddles | B2 | mm | 750 / 950 |
| | 22a | Width over straddles | | mm | 950 / 1150 |
| 23 | Distance between front axle and retracted fork heel | L2 | mm | 634 | |
| 23a | Distance between front axle and centre of attachment | L2 | mm | | |
| 23b | Distance between front axle and heel of extended fork | X1 | mm | | |
| 24 | Axle distance | L3 | mm | 1462 | |
| 25 | Wheel track, front rear (centre lines wheels) | | mm | 850 - 685 | |
| 26 | Ground clearance at half axle distance | | mm | 60 | |
| Weights | 27 | Total weight with-without battery. | | kg | 2020 - 1570 |
| | 28 | Max axle pressure, fork side, without/ with classified load | | kg | 808 / 1932 |
| | 29 | Max axle pressure, drive side, without/with classified load | | kg | 1212 / 1087 |
| | 30 | Max wheel point loading, without/with normal load | | MPa | |
| Motors | 39 | Battery capacity | | kWh/Ah | 5,7-11,1 / 240-465 |
| | 39a | Battery voltage | | V | 24 |
| | 41 | Drive motor | | kW | 2,4 AC |
| | 42 | Speed regulation | | | Transistor |
| | 43 | Lift motor. Output/Interm. conn.time | | kW-%/min | 4,5 - 12/10 |
| 43a | Hydraulic pressure | | MPa | 17,5 | |
| Steering/brake system | 44 | Wheel type, drive wheel/others | | | Rubber/Vulcollan |
| | 44a | Number of wheels, drive/castor - load wheels | | | 3 - 2 |
| | 45 | Wheel dimensions | | | |
| | 45a | Load wheels - diameter x width | | mm | (2) x 150x60 |
| | 45b | Drive wheel - diameter x width | | mm | (1) x 250x80 |
| | 45c | Castor wheels - diameter x width | | mm | (2) x 150x60 |
| | 46 | Steering | | | El. servo |
| 47 | Service brake - Type-acting on | | | El. - drive motor | |
| 48 | Parking brake - Type-acting on. | | | Mech. - drive motor | |

2006-07-26

* Varies according to battery size

All rights reserved to change above specification